



LSLV

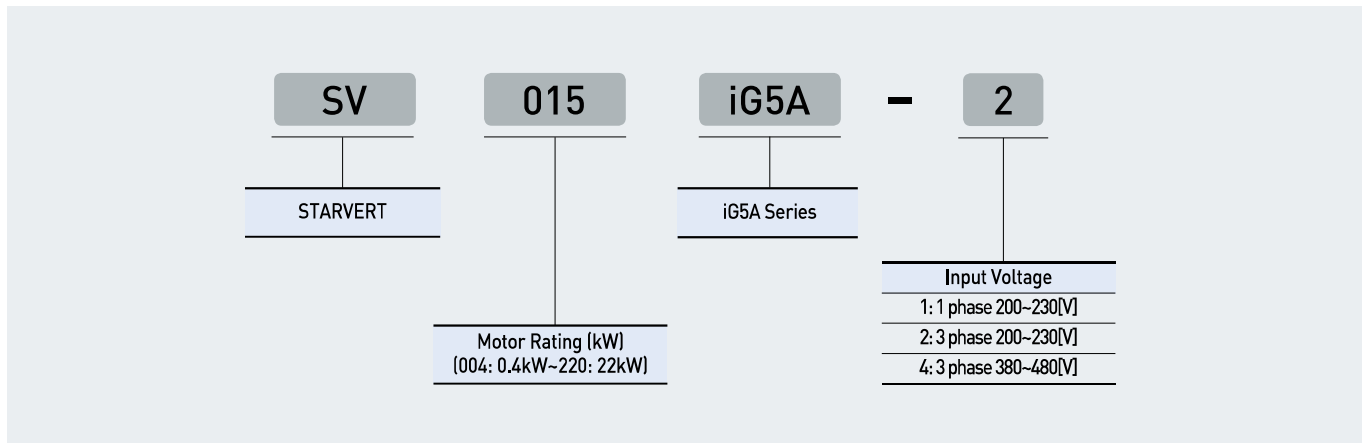
iG5A

0.4~1.5kW(0.5~2HP) 1-phase 200~230Volts
0.4~22kW(0.5~30HP) 3-Phase 200~230Volts
0.4~22kW(0.5~30HP) 3-Phase 380~480Volts



LSIS

Applicable Motor Ranges	1 Phase 200V	3 Phase 200V	3 Phase 400V
0.4kW (0.5HP)	SV004iG5A-1	SV004iG5A-2	SV004iG5A-4
0.75kW (1HP)	SV008iG5A-1	SV008iG5A-2	SV008iG5A-4
1.5kW (2HP)	SV015iG5A-1	SV015iG5A-2	SV015iG5A-4
2.2kW (3HP)		SV022iG5A-2	SV022iG5A-4
3.7kW (5HP)		SV037iG5A-2	SV037iG5A-4
4.0kW (5.4HP)		SV040iG5A-2	SV040iG5A-4
5.5kW (7.5HP)		SV055iG5A-2	SV055iG5A-4
7.5kW (10HP)		SV075iG5A-2	SV075iG5A-4
11.0kW (15HP)		SV110iG5A-2	SV110iG5A-4
15.0kW (20HP)		SV150iG5A-2	SV150iG5A-4
18.5kW (25HP)		SV185iG5A-2	SV185iG5A-4
22.0kW (30HP)		SV220iG5A-2	SV220iG5A-4



1 Phase 200V

SV □□□ iG5A-1□□		004	008	015
Max. Capacity ¹⁾	(HP)	0.5	1	2
	(kW)	0.4	0.75	1.5
Output Rating	Capacity (kVA) ²⁾	0.95	1.9	3.0
	FLA (A) ³⁾	2.5	5	8
	Max Frequency	400 [Hz] ⁴⁾		
	Max Voltage	3 phase 200~230V ⁵⁾		
Input Rating	Rated Voltage	1phase 200~230 VAC (+10%, -15%)		
	Rated Frequency	50 ~ 60 [Hz] (±5%)		
Cooling Method		Forced air cooling		
Weight (kg)		0.76	1.12	1.84

3 Phase 200V

SV □□□ iG5A-2□□		004	008	015	022	037	040	055	075	110	150	185	220
Max. Capacity ¹⁾	(HP)	0.5	1	2	3	5	5.4	7.5	10	15	20	25	30
	(kW)	0.4	0.75	1.5	2.2	3.7	4.0	5.5	7.5	11	15	18.5	22
Output Rating	Capacity (kVA) ²⁾	0.95	1.9	3.0	4.5	6.1	6.5	9.1	12.2	17.5	22.9	28.2	33.5
	FLA (A) ³⁾	2.5	5	8	12	16	17	24	32	46	60	74	88
	Max Frequency	400 [Hz] ⁴⁾											
	Max Voltage	3 phase 200~230V ⁵⁾											
Input Rating	Rated Voltage	3 phase 200~230 (+10%, -15%)											
	Rated Frequency	50~60 [Hz] (±5%)											
Cooling Method		N/C ⁶⁾	Forced air cooling										
Weight (kg)		0.76	0.77	1.12	1.84	1.89	1.89	3.66	3.66	9.0	9.0	13.3	13.3

3 Phase 400V

SV □□□ iG5A-4□□		004	008	015	022	037	040	055	075	110	150	185	220
Max. Capacity ¹⁾	(HP)	0.5	1	2	3	5	5.4	7.5	10	15	20	25	30
	(kW)	0.4	0.75	1.5	2.2	3.7	4.0	5.5	7.5	11	15	18.5	22
Output Rating	Capacity (kVA) ²⁾	0.95	1.9	3.0	4.5	6.1	6.9	9.1	12.2	18.3	22.9	29.7	34.3
	FLA (A) ³⁾	1.25	2.5	4	6	8	9	12	16	24	30	39	45
	Max Frequency	400 [Hz] ⁴⁾											
	Max Voltage	3 phase 380~480V ⁵⁾											
Input Rating	Rated Voltage	3 phase 380~480 VAC (+10%, -15%)											
	Rated Frequency	50~60 [Hz] (±5%)											
Cooling Method		N/C ⁶⁾	Forced air cooling										
Weight (kg)		0.76	0.77	1.12	1.84	1.89	1.89	3.66	3.66	9.0	9.0	13.3	13.3

1) Indicate the maximum applicable motor capacity when using 4 pole LS standard motor.

2) Rated capacity is based on 220V for 200V series and 440V for 400V series.

3) Refer to 15-3 of user's manual when carrier frequency setting [39] is above 3kHz.

4) Max. frequency setting range is extended to 300Hz when H40 (Control mode select) is set to 3 (Sensorless vector control).

5) Max. output voltage cannot be higher than the input voltage. It can be programmable below input voltage.

6) Self-Cooling

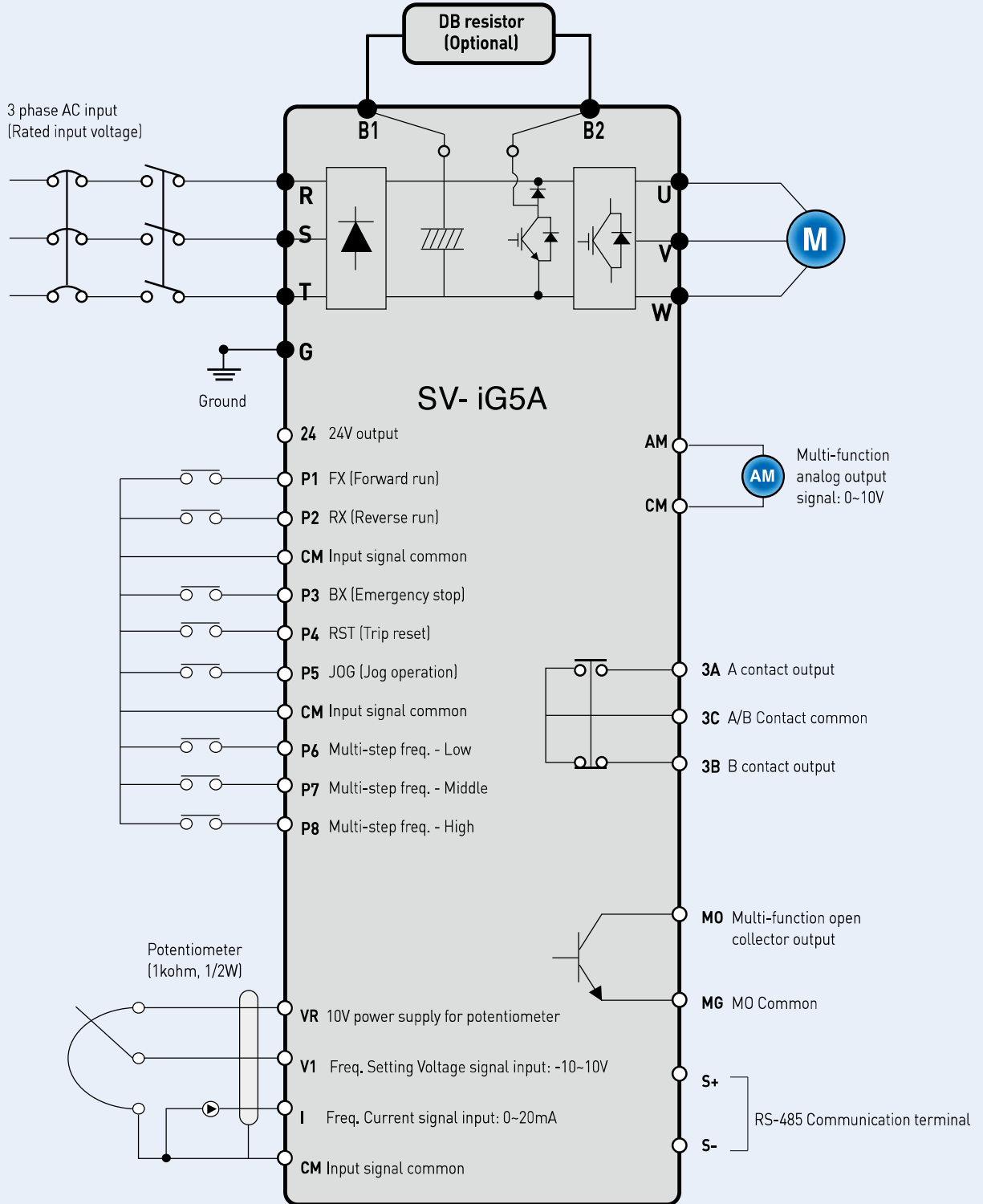
Control	Control Method		V/F, Sensorless vector control	
	Frequency Setting Resolution		Digital command: 0.01Hz Analog command: 0.06Hz (Max. freq.: 60Hz)	
	Frequency Accuracy		Digital command: 0.01% of Max. output frequency Analog command: 0.1% of Max. output frequency	
	V/F Pattern		Linear, Squared, User V/F	
	Overload Capacity		150% per 1 min.	
	Torque Boost		Manual/Auto torque boost	
	Dynamic Braking	Max. Braking Torque	20% ¹⁾	
Max. Duty		150% when using optional DB resistor ²⁾		
Operation	Operation Mode		Keypad/ Terminal/Communication option/Remote keypad selectable	
	Frequency Setting		Analog: 0~10V, -10~10V, 0~20mA Digital: Keypad	
	Operation Features		PID, Up-down, 3-wire	
	Input	Multi-Function Terminal P1~P8	NPN/PNP selectable	
			FWD/REV RUN, Emergency stop, Fault reset, Jog operation, Multi-step Frequency-High, Mid, Low, Multi-step Accel/Decel-High, Mid, Low, DC braking at stop, 2nd motor select, Frequency UP/Down, 3-wire operation, External trip A, B, PID-Drive (V/F) operation bypass, Option-drive (V/F) operation bypass, Analog Hold, Accel/Decel stop	
	Output	Open Collector Terminal	Fault output and drive status output	Less than DC 26V, 100mA
Multi-Function Relay			(N.O., N.C.) Less than AC 250V, 1A; Less than DC 30V, 1A	
Analog Output (AM)		0~10Vdc (less than 10mA): Output freq, Output current, Output voltage, DC link selectable		
Protective Function	Trip		Over voltage, Under voltage, Over current, Ground fault current detection, Drive overheat, Motor overheat, Output phase open, Overload protection, Communication error, Loss of speed command, Hardware fault, Fan trip	
	Alarm		Stall prevention, Overload	
	Momentary Power Loss		Below 15 msec: Continuous operation (Should be within rated input voltage, rated output power.) Above 15 msec: Auto restart enable	
Environment	Protection Degree		IP 20, NEMA1 (Ambient Temperature 40°C) ³⁾	
	Ambient Temp		-10°C~50°C	
	Storage Temp		-20°C~65°C	
	Humidity		Below 90% RH (No condensation)	
	Altitude/Vibration		Below 1,000m (From 1000 to 4000m, the rated input voltage and rated output current of the drive must be derated by 1% for every 100m.), 5.9m/sec ² (0.6G)	
	Atmospheric Pressure		70~106 kPa	
	Location		Protected from corrosive gas, Combustible gas, Oil mist or dust	

¹⁾ Means average braking torque during Decel to stop of a motor.

²⁾ Refer to Chapter 16 of user's manual for DB resistor specification.

³⁾ UL Type1 with top cover and conduit box installed.

0.4~7.5kW



11.0~22.0kW

