

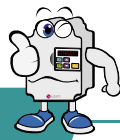


LSLV  
**iv5**  
Vector AC Drive

2,2~37kW (3~50HP) 3 Phase 200~230V  
2,2~800kW (3~1,067HP) 3 Phase 380~480V  
5,5~500kW (7,5~666HP) 400V DC Input type



**LSIS**



# Model & Type

Applicable Motor ranges	200V Series	400V Series
2.2kW (3HP)	SV022iV5-2DB(MD)	SV022iV5-4DB(MD)
3.7kW (5HP)	SV037iV5-2DB(MD)	SV037iV5-4DB(MD)
5.5kW (7.5HP)	SV055iV5-2DB(MD)	SV055iV5-4DB(MD)
7.5kW (10HP)	SV075iV5-2DB(MD)	SV075iV5-4DB(MD)
11kW (15HP)	SV110iV5-2DB(MD)	SV110iV5-4DB(MD)
15kW (20HP)	SV150iV5-2DB(MD)	SV150iV5-4DB(MD)
18.5kW (25HP)	SV185iV5-2DB(MD)	SV185iV5-4DB(MD)
22kW (30HP)	SV220iV5-2DB(MD)	SV220iV5-4DB(MD)
30kW (40HP)	SV300iV5-2	SV300iV5-4
37kW (50HP)	SV370iV5-2	SV370iV5-4
45kW (60HP)		SV450iV5-4
55kW (75HP)		SV550iV5-4
75kW (100HP)		SV750iV5-4
90kW (120HP)		SV900iV5-4
110kW (150HP)		SV1100iV5-4
132kW (175HP)		SV1320iV5-4
160kW (215HP)		SV1600iV5-4
220kW (300HP)		SV2200iV5-4
280kW (375HP)		SV2800iV5-4
315kW (420HP)		SV3150iV5-4
375kW (500HP)		SV3750iV5-4
500kW (666HP)		SV5000iV5-4
800kW (1067HP)		SV8000iV5-4


■ Mold Type    ■ Press Type

**SV220iV-5 2DB**

---

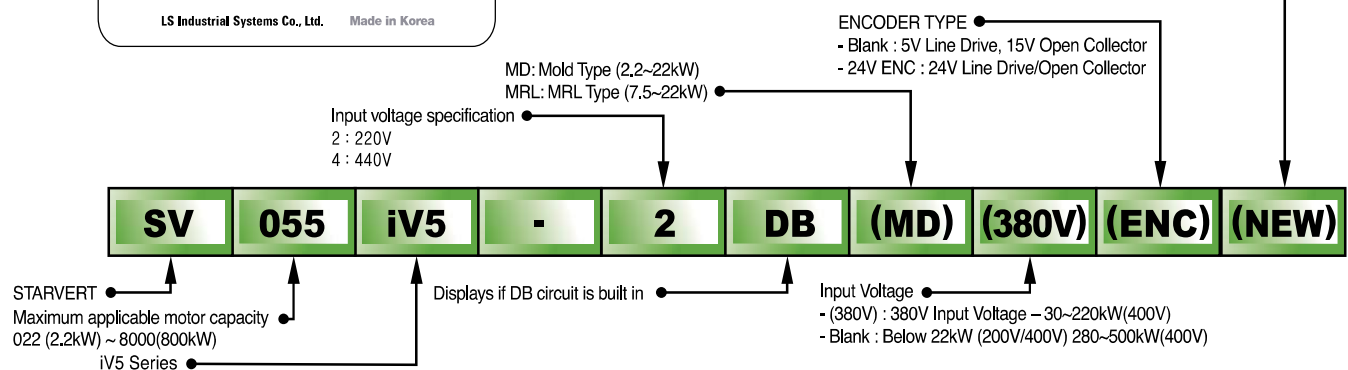
**INPUT** 200 - 230V 3phase  
 69A 50/60Hz

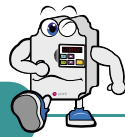
**OUTPUT** 0 - Input V 3phase  
 60A 0.1 - 400Hz  
 20HP/15kW

  
 0010222100155

LS Industrial Systems Co., Ltd. Made in Korea

- Inverter type
- Input power specification
- Rated capacity
- Output power specification
- Operation frequency and rated output
- Bar-code
- Serial number





# Standard Specification

## ■ 200V Class Specifications

Type : SV[ ][ ] [iV5-2(DB)		022	037	055	075	110	150	185	220	300	370
Maximum applicable	[HP]	3	5	7.5	10	15	20	25	30	40	50
motor ranges	[kW]	2.2	3.7	5.5	7.5	11	15	18.5	22	30	37
Rated output	Capacity [kVA] * Note2)	4.5	6.1	9.1	12.2	17.5	22.5	28.2	33.1	46	55
	Rated current [A]	12	16	24	32	46	59	74	88	122	146
	Output speed	0 ~ 3600 (rpm)									
	Output voltage	0 ~ 200V(230V) * Note3)									
Rated input	Voltage	3 $\phi$ 200 ~ 230V (-10% ~ +10%)									
	Frequency	50 ~ 60Hz ( $\pm$ 5%)									
Weight [Kg(lbs)]		6(13)	6(13)	7.7(16.9)	7.7(16.9)	13.7(30.2)	13.7(30.2)	20.3(44.7)	20.3(44.7)	42(93)	42(93)

## ■ 400V Class Specifications(AC power input type)

Type : SV[ ][ ] [iV5-4(DB)		022	037	055	075	110	150	185	220	300	370
Maximum applicable	[HP]	3	5	7.5	10	15	20	25	30	40	50
motor ranges	[kW]	2.2	3.7	5.5	7.5	11	15	18.5	22	30	37
Rated output	Capacity [kVA]	4.5	6.1	9.1	12.2	18.3	22.9	29.7	34.3	46	57
	Rated current [A]	6	8	12	16	24	30	39	45	61	75
	Output speed	0 ~ 3600 (rpm)									
	Output voltage	0 ~ 380V(480V) * Note3)									
Rated input	Voltage	3 $\phi$ 380 ~ 480V (-10% ~ +10%) * Note4)									
	Frequency	50 ~ 60Hz ( $\pm$ 5%)									
Weight [Kg(lbs)]		6(13)	6(13)	7.7(16.9)	7.7(16.9)	13.7(30.2)	13.7(30.2)	20.3(44.7)	20.3(44.7)	42(93)	42(93)

Type : SV[ ][ ] [iV5-4(DB)		450	550	750	900	1100	1320	1600	2200	2800	3150	3750	5000	8000
Maximum applicable	[HP]	60	75	100	120	150	175	215	300	373	420	500	666	1067
motor ranges	[kW]	45	55	75	90	110	132	160	220	280	315	375	500	800
Rated output	Capacity [kVA]	70	85	116	140	170	200	250	329	416	468	557	732	1105
	Rated current [A]	91	110	152	183	223	264	325	432	546	614	731	960	1384
	Output speed	0 ~ 3600 (rpm)												
	Output voltage	380 ~ 460V * Note3)												
Rated input	Voltage	3 $\phi$ 380 ~ 480V (-10% ~ +10%) * Note4)												
	Frequency	50~60Hz ( $\pm$ 5%)												
Weight [Kg(lbs)]		63(139)	63(139)	68(150)	98(216)	98(216)	122(269)	122(269)	175(386)	243(536)	380(838)	380(838)	476(1050)	589(1300)

\*Note1) It represents the output capacity of maximum applicable motor in case LG-OTIS 4pole motor is used.

\*Note2) Rated capacity (=  $\sqrt{3}VI$ ) is calculated based on 220V for 200V class, 440V for 400V class.

\*Note3) Maximum output voltage cannot be generated greater than specified input voltage.

\*Note4) Derate the rated current by 10% when the input voltage is in the range above 480V.

\*Note5) Rated current is derated by 10 % above 680 VDC of input voltage.



## Standard Specifications

### ■ 400V Class (DC power input type)

SV [ ] [ ] [ ] iV5-4DC		055	075	110	150	185	220	300	370	450	550
Maximum applicable	[HP]	7.5	10	15	20	25	30	40	50	60	75
motor ranges * Note1)	[kW]	5.5	7.5	11	15	18.5	22	30	37	45	55
output	Capacity [kVA] * Note2)	9.1	12.2	18.3	22.9	29.7	34.3	46	57	70	85
	Rated current [A]	12	16	24	30	39	45	61	75	91	110
	Speed	0 ~ 3600 (rpm)									
	Voltage	0 ~ 380V(480V) * Note3)									
Input rated Voltage					DC 540 ~ 680V(+10%) * Note5)						
Drive weight [Kg(lbs)]		12 (26)	12 (26)	24 (53)	24.5 (54)	25 (55)	25 (55)	38.5 (84)	38.5 (84)	50 (110)	50 (110)

SV [ ] [ ] [ ] iV5-4DC		750	900	1100	1320	1600	2200	2800	3150	3750	5000
Maximum applicable	[HP]	100	120	150	175	215	300	373	420	500	666
motor ranges * Note1)	[kW]	75	90	110	132	160	220	280	315	375	500
output	Capacity [kVA] * Note2)	116	140	170	200	250	329	416	468	557	732
	Rated current [A]	152	183	223	264	325	432	546	614	731	960
	Speed	0 ~ 3600 (rpm)									
	Voltage	0 ~ 380V(480V) * Note3)									
Input rated Voltage					DC 540 ~ 680V(+10%) * Note5)						
Drive weight [Kg(lbs)]		55 (121)	79 (174)	79 (174)	98.5 (217)	98.5 (217)	154.5 (340)	206 (454)	343 (756)	343 (756)	466 (1028)

### ■ 400V MRL Specifications

SV [ ] [ ] [ ] iV5-4(MRL)		075	110	150	220
Maximum applicable	[HP]	10	15	20	30
motor ranges	[kW]	7.5	11	15	22
Rated output	Capacity [kVA] * Note2)	13.7	20.6	27.5	39.6
	Rated current [A]	18	27	36	52
	Output speed	0~200 (rpm)			
	Output voltage	380~480V * Note3)			
Rated input	Voltage	3ø 380 ~ 480V (-10% ~ +10%)			
	Frequency	50~60Hz (±5%)			
Weight [Kg(lbs)]		14 (30.8)	14 (30.8)	18.7 (41)	19 (41.8)

\*Note1) It represents the output capacity 05 maximum applicable motor in case LG-OTIS 4pole motor is used.

\*Note2) Rated capacity (=√3VI) is calculated based on 220V for 200V class, 440V for 400V class.

\*Note3) Maximum output voltage cannot be generated greater than specified input voltage.

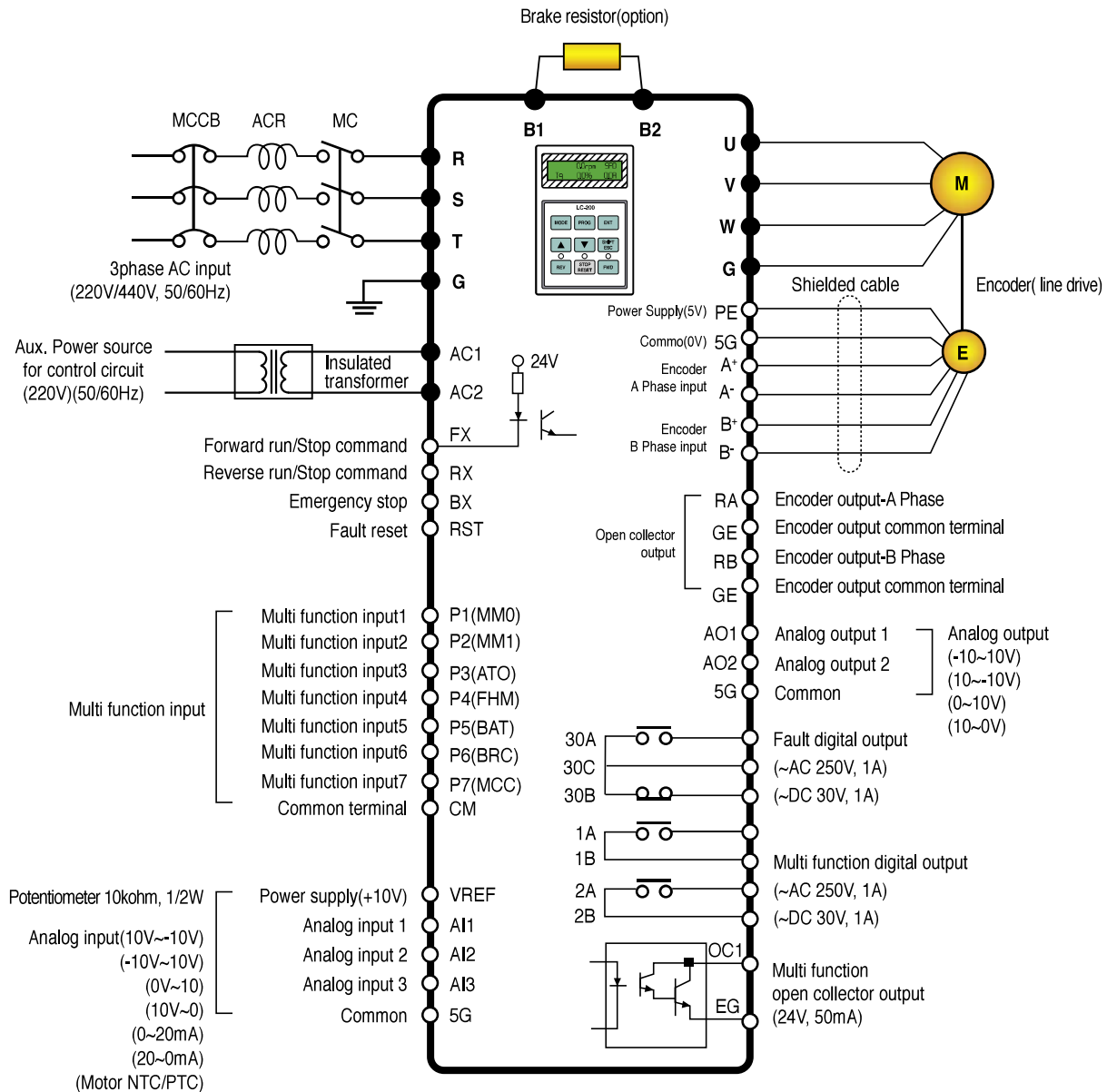
\*Note4) Derate the rated current by 10% when the input voltage is in the range above 480V.

\*Note5) Rated current is derated by 10 % above 680 VDC of input voltage.



## AC Input Type

2.2 ~ 22kW (200V/400V)(MD)



Note) ● : Power terminal ○ : control terminal