

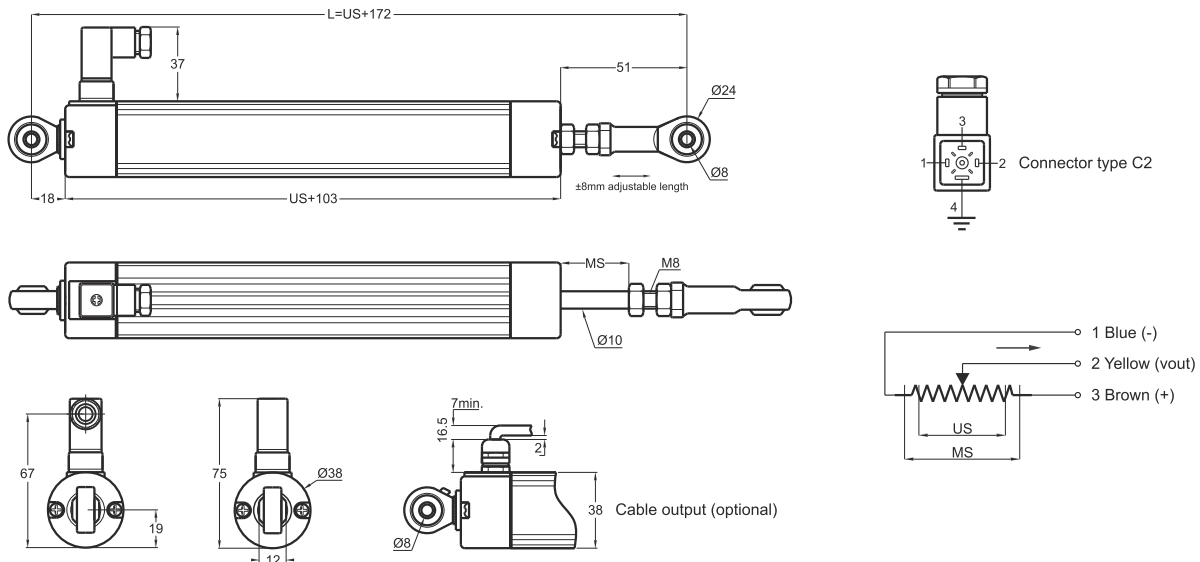
Linear Potentiometer

- Measuring range 50 - 800 mm
- Long mechanical life 100 million cycles
- Excellent repeatability <0.01 mm
- Infinite resolution
- 5 KOhm or 10 KOhm



Technical specifications

| | |
|-----------------------------|--|
| Measurement stroke | 50 to 800 mm |
| Linearity | ± %0,05 (>200mm), ±%0,1 (130-200mm), ±%0,2 (75 - 130mm), ±%0,5 (<75mm) |
| Repeatability | < 0,01 mm |
| Resolution | Infinite |
| Resistance | 5 KOhm or 10 KOhm |
| Resistance tolerance | ± %20 |
| Load resistance | 100 KOhm min. |
| Recommended cursor current | <1 µA |
| Permissible applied voltage | 28 VDC max. |
| Electrical connections | 4 pin connector (standard), Cable (optional) |
| Displacement speed | < 5 m/s |
| Mechanical life | 100 million cycles |
| Case dimensions | Ø38 mm |
| Case material | Anodized aluminium |
| Rod material | Stainless steel |
| Rod diameter | Ø10 mm |
| Mechanical fixing | Ball joints on the both side |
| IP degree | IP 65 |
| Operating temperature | -20°C ... +80°C |
| Storage temperature | -30°C ... +90°C |



| | | | | | | | | | | | | | | | | | | | | | | | |
|------------------------|-----|-----|-----|-----|-----|-----|-----|-----|-----|-----|-----|-----|-----|-----|-----|-----|-----|-----|-----|-----|-----|-----|-----|
| LPC (mm) | 50 | 75 | 100 | 125 | 130 | 150 | 175 | 200 | 225 | 250 | 275 | 300 | 325 | 350 | 375 | 400 | 450 | 500 | 550 | 600 | 650 | 700 | 800 |
| US (Usefull Stroke) | 50 | 75 | 100 | 125 | 130 | 150 | 175 | 200 | 225 | 250 | 275 | 300 | 325 | 350 | 375 | 400 | 450 | 500 | 550 | 600 | 650 | 700 | 800 |
| MS (Mechanical Stroke) | 54 | 79 | 104 | 129 | 134 | 154 | 179 | 204 | 229 | 254 | 279 | 304 | 329 | 354 | 379 | 404 | 454 | 504 | 554 | 604 | 654 | 704 | 804 |
| L (Total Length) | 222 | 247 | 272 | 297 | 302 | 322 | 347 | 372 | 397 | 422 | 447 | 472 | 497 | 522 | 547 | 572 | 622 | 672 | 722 | 772 | 822 | 872 | 972 |

| Model | Measurement stroke (mm) | Linearity (%) | Resistance (KOhm) | Connector / Cable |
|---------------|-------------------------|---|------------------------------|---|
| (example) LPC | 500 | D | 5K | C2 |
| LPC | 50 ... 800 mm | D : ± %0,05 (>200mm) ± %0,1 (130-200mm) ± %0,2 (75-130mm) ± %0,5 (<75mm) | 5K : 5 KOhm 10K : 10 KOhm | C2 : 4 pin connector 1M : 1 meter cable 2M5 : 2,5 meter cable |