

GRIPPER WITH TWO PARALLEL JAWS SERIES P1

ACTUATORS

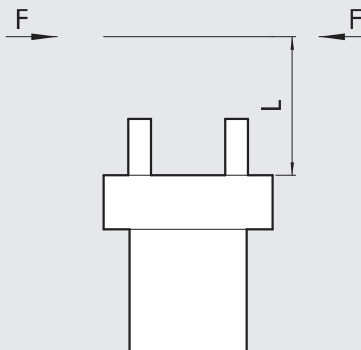
GRIPPER WITH TWO PARALLEL JAWS SERIES P1

- Dual-acting parallel gripper for internal and external clamping.
- Anodized aluminium alloy body and tempered steel jaws.
- Bottom or side fixing.
- All sizes come with magnets and sensor slots.

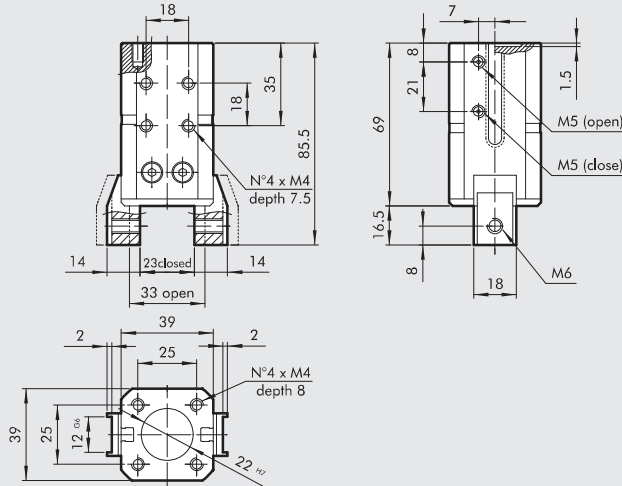


TECHNICAL DATA		P1-20	P1-32
Operating pressure	bar	2 to 8	
	MPa	0.2 to 0.8	
	psi	29 to 116	
Temperature range	°C	5 to 70	
Fluid		20 µm filtered, lubricated or unlubricated air; lubrication if used, it must be continuous	
Bores	mm	20	32
Clamping force at 6.3 bar 20 mm from the top surface during opening and closing	N	70	170
Single jaw stroke	mm	5	5
Weight	kg	0.50	0.70

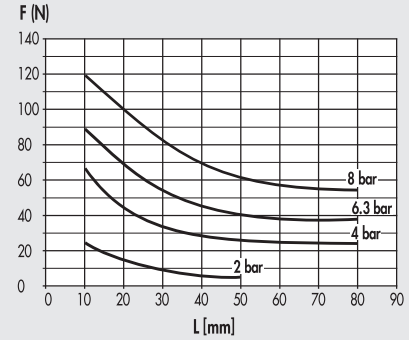
TABLE OF CLAMPING FORCES FOR VARIOUS POINTS OF APPLICATION



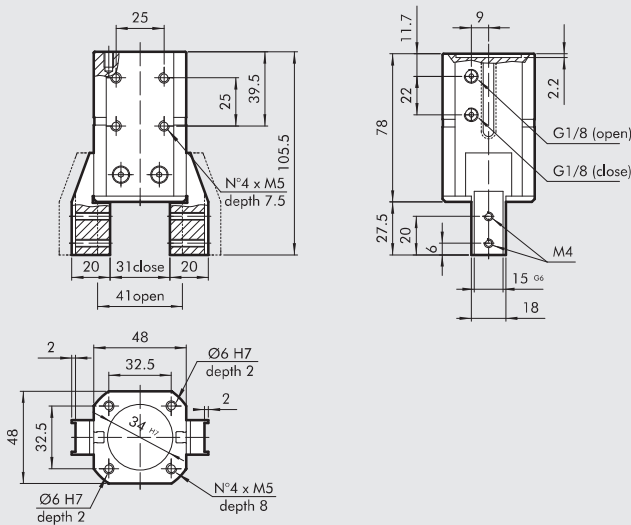
DIMENSIONS OF GRIPPER P1-20



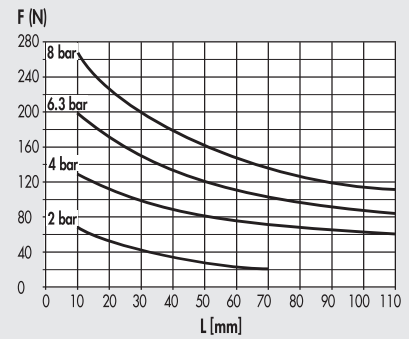
Code W155020001 **Description** Gripper with 2 parallel jaws P1-20



DIMENSIONS OF GRIPPER P1-32



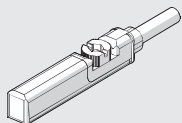
Code W1550320001 **Description** Gripper with 2 parallel jaws P1-32



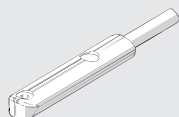
ACCESSORIES

RETRACTABLE SENSOR

SENSOR, SQUARE TYPE
Latest generation,
secure fixing



SENSOR, OVAL TYPE
Traditional



For codes and technical data, see chapter A6.