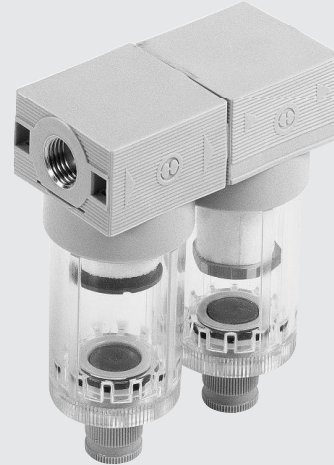


FIL + DEP bit



Compact filter + depurator unit for fine filtering followed by purification by coalescence.

- All-round condensate level viewing
- Condensate drainage - manual/semi-auto (RMSA) or automatic (SAC) on the filter
- 5 µm filter element.

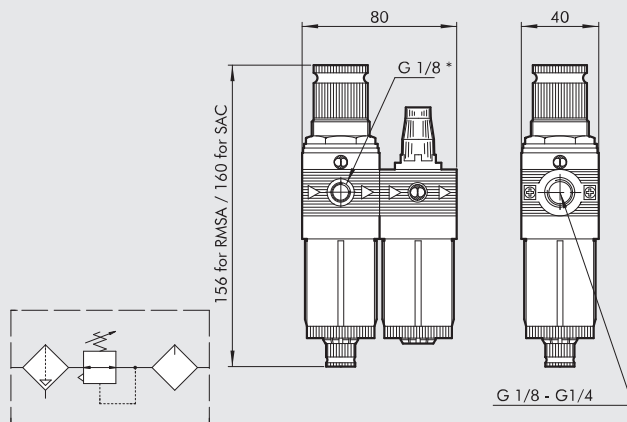


TECHNICAL DATA		F + D BIT 1/8"	F + D BIT 1/4"
Threaded port		1/8"	1/4"
Degree of purification		5 µm filter – 99.97% depurator at 0.01 µm	
Max. inlet pressure	MPa		1.3
	bar		13
	psi		188
Maximum suggested flow rate		Please look at the flow rate curves at page C2.7	
Fluid		Compressed air	
Max temperature at 1 MPa; 10 bar; 145 psi	°C		50
	°F		122
Weight	g		110
Wall fixing screws		M4 by means of the bracket provided	
Mounting position		Vertical	
Condensate drain		RMSA: drain with manual condensate discharge and automatic discharge at zero pressure SAC: automatic drain with condensate discharge.	
Notes		Operates by depression – requires variable air take-offs. See chapters regarding individual elements	

UNITS

FIL + DEP bit

DIMENSIONS



SYNOPTIC, SIZES AND VERSIONS

F+D ELEMENT	BIT SIZE	1/4 THREADED PORT	5 DEGREE OF FILTRATION	RMSA CONDENSATE DRAIN
F+D	BIT	1/8 1/4	5 µm	RMSA SAC

RMSA: drain with manual condensate discharge and automatic discharge at zero pressure
 SAC: automatic drain with condensate discharge.
Operates by depression – requires variable air take-offs.

ORDERING CODES

Code	Description
5114001	F+D BIT 1/8 5 RMSA - RMSA
5114002	F+D BIT 1/8 5 SAC - RMSA
5214001	F+D BIT 1/4 5 RMSA - RMSA
5214002	F+D BIT 1/4 5 SAC - RMSA