

# bit TAKE-OFF

- The air take-off takes air from the FRL unit irrespective of the assembly position.
- It is necessary when air needs to be taken from the FRL unit at any stage of the treatment (normal, filtered, regulated, lubricated, etc.).



## TECHNICAL DATA

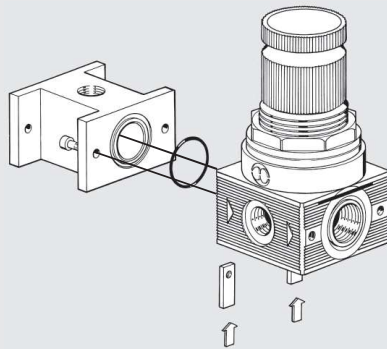
		PA
Maximum operating pressure	MPa	1.3
	bar	13
	psi	188
Maximum working temperature at 1 MPa; 10 bar; 145 psi	°C	50
	°F	

UNITS

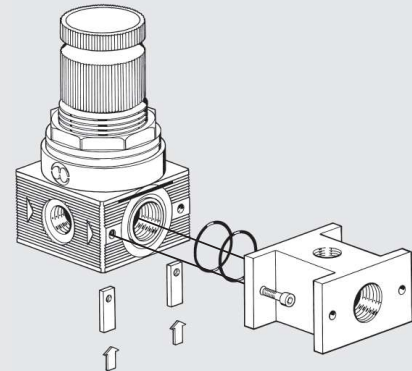
bit TAKE-OFF

## CONNECTION DIAGRAMS AND APPLICATION

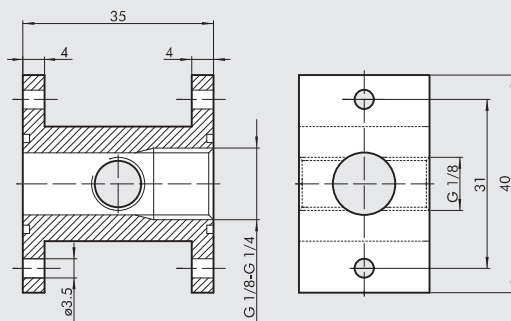
**Mounting the air take-off at the inlet:**  
only use two screws and the O-rings supplied in the PA kit.



**Mounting the air take-off at the outlet:**  
only use two screws and the O-rings supplied in the PA kit. Seal is provided by the contact between O-rings.



## DIMENSIONS



## ORDERING CODES

Code	Description
9100401	PA 1/8 - 1/4 BIT