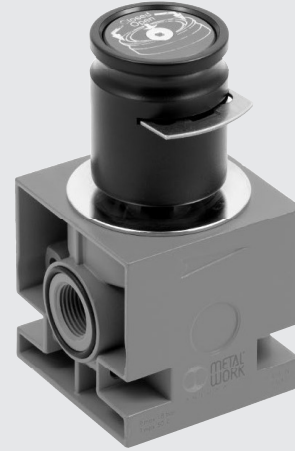


# Newdeal SHUT-OFF VALVE

Manually-operated circuit shut-off valve.

- Poppet seat system to ensure high flow rate
- Quick-actuation knob
- Possible triple locking
- The valve is actuated by pressing the actuation disk until it clicks. Press the knob downwards to relieve pressure. In this position you can extract the shim and fit a lock to avoid accidental operation.



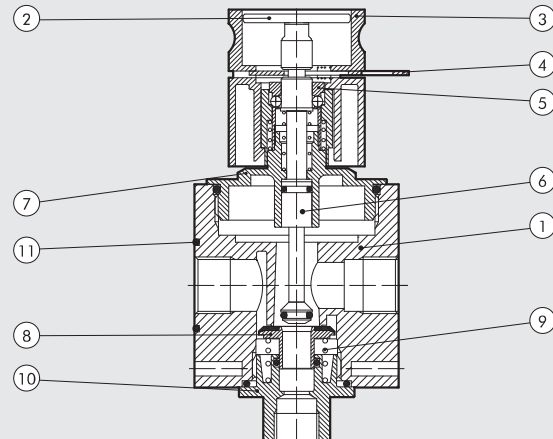
UNITS

New deal SHUT-OFF VALVE

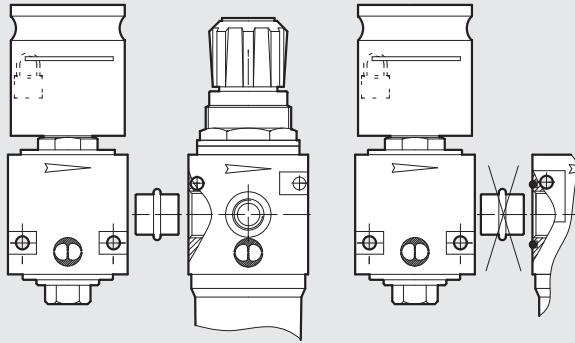
TECHNICAL DATA		V3V ND 1/4"	V3V ND 3/8"	V3V ND 1/2"
Threaded port		1/4"	3/8"	1/2"
Max. inlet pressure	MPa	1.8		1.8
	bar	18		18
	psi	261		261
Flow rate at 6.3 bar (0.63 MPa to 91 psi) ΔP 0.5 bar (0.05 MPa to 7 psi)	Nl/min	1100		2200
	scfm	38.8		78
Flow rate at 6.3 bar (0.63 MPa to 91 psi) ΔP 1 bar (0.1 MPa to 14 psi)	Nl/min	1500		2900
	scfm	53		103
Flow rate on relieving at 6 bar (0.6 Mpa to 87 psi) with direct relieving into the atmosphere	Nl/min	1600		2900
	scfm	56.5		103
Max temperature at 1 MPa; 10 bar; 145 psi	°C	50		50
	°F	122		122
Weight	kg	0.35		0.8
Wall fixing screws		M4 x 40		M4 x 55
Mounting position		In any position		
Fluid		Filtered, lubricated or unlubricated compressed air. Lubrication, if used, must be continuous.		
Type of control		Manual		

## COMPONENTS

- ① Zamak body
- ② Actuation disk
- ③ Technopolymer knob
- ④ Stainless steel safety shim
- ⑤ Clutching unit
- ⑥ OT 58 brass rod
- ⑦ Upper OT 58 brass plug
- ⑧ V3V valve with NBR vulcanized gasket
- ⑨ Stainless steel valve compression spring
- ⑩ Lower OT58 brass plug
- ⑪ NBR gaskets



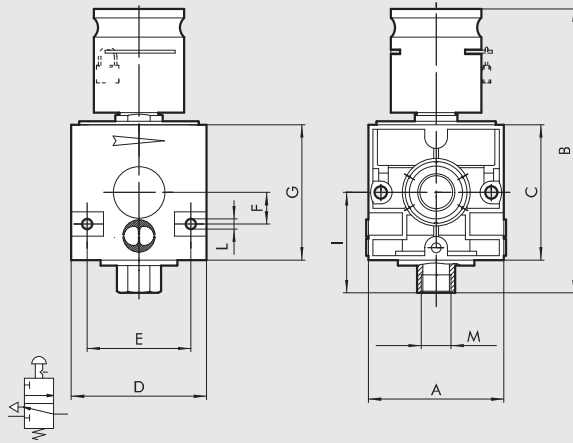
**ASSEMBLY DIAGRAM**



To assemble the V3V to the regulator filter 1/4", or deurator 3/8-1/2, use the adopter provided (see the assembly diagram at the left).

- Adaptor V3V + FR 1/4" - code 9201001
- Adaptor V3V + D 3/8" - code 9401001
- Adaptor V3V + D 1/2" - code 9401002

**DIMENSIONS**



	V3V ND 1/4"	V3V ND 3/8"	V3V ND 1/2"
Threaded port	1/4"	3/8"	1/2"
A	42		60
B	105		126
C	42		60
D	42		60
E	32		46
F	10		14
G	42		60
I	32		43
L	Hole for M4 screws		Hole for M4 screws
M	1/8"		1/4"

**ORDERING CODES**

Code	Description
1270001	V3V ND 1/4
1370001	V3V ND 3/8
1470001	V3V ND 1/2

**NOTES**